

## Adapter - RAD-ADP-N/F-N/F - 2867843

Please be informed that the data shown in this PDF Document is generated from our Online Catalog. Please find the complete data in the user's documentation. Our General Terms of Use for Downloads are valid (<http://phoenixcontact.com/download>)

Antenna adapter for control cabinet feed-through, frequency range: 0.3 GHz ... 6 GHz, degree of protection: IP65, connection: 2 x N (female)




### Your advantages

- As an adapter between devices and cables
- Adapter for installing the antenna inside buildings



### Key Commercial Data

Packing unit	1 pc
GTIN	 4 046356 046923
GTIN	4046356046923

### Technical data

#### Dimensions

Width	38 mm
Diameter	16.5 mm

#### Ambient conditions

Ambient temperature (operation)	-65 °C ... 165 °C
Ambient temperature (storage/transport)	-65 °C ... 165 °C
Degree of protection	IP20

#### General

Housing material	Brass (CuZn)
------------------	--------------

#### Environmental Product Compliance

REACH SVHC	Lead 7439-92-1
China RoHS	Environmentally Friendly Use Period = 25;

# Adapter - RAD-ADP-N/F-N/F - 2867843

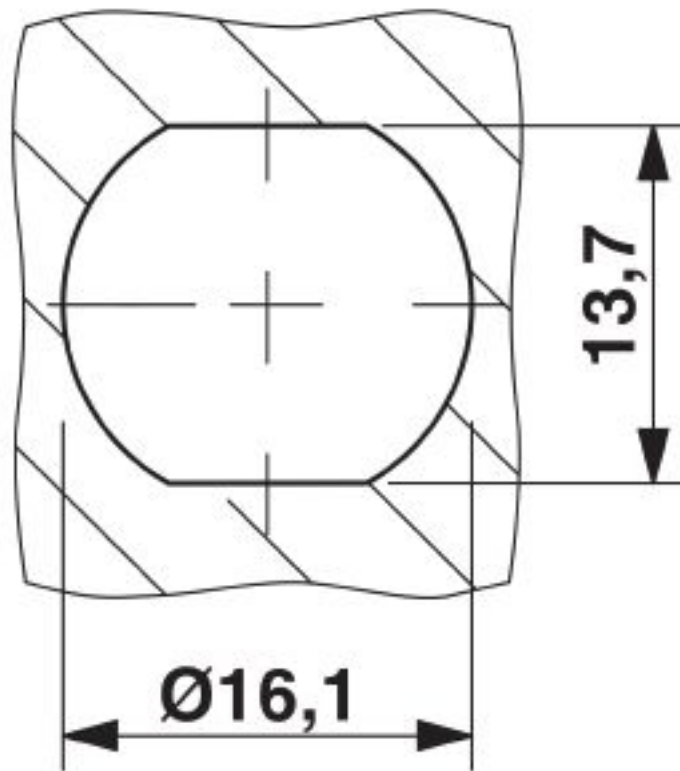
## Technical data

### Environmental Product Compliance

	For details about hazardous substances go to tab "Downloads", Category "Manufacturer's declaration"
--	---

## Drawings

Dimensional drawing



Drill holes

## Classifications

eCl@ss

eCl@ss 10.0.1	19070417
eCl@ss 11.0	19070417
eCl@ss 4.0	27060800
eCl@ss 4.1	27060800

## Adapter - RAD-ADP-N/F-N/F - 2867843

### Classifications

#### eCl@ss

eCl@ss 5.0	27061800
eCl@ss 5.1	27061800
eCl@ss 6.0	27061800
eCl@ss 7.0	27440310
eCl@ss 8.0	27440310
eCl@ss 9.0	19070417

#### ETIM

ETIM 2.0	EC000019
ETIM 3.0	EC000019
ETIM 4.0	EC000019
ETIM 5.0	EC001135
ETIM 6.0	EC001135
ETIM 7.0	EC001135

#### UNSPSC

UNSPSC 6.01	26121608
UNSPSC 7.0901	26121608
UNSPSC 11	26121608
UNSPSC 12.01	26121608
UNSPSC 13.2	39121414
UNSPSC 19.0	39121414

Phoenix Contact 2020 © - all rights reserved  
<http://www.phoenixcontact.com>

PHOENIX CONTACT GmbH & Co. KG  
Flachsmarktstr. 8  
32825 Blomberg  
Germany  
Tel. +49 5235 300  
Fax +49 5235 3 41200  
<http://www.phoenixcontact.com>