

Y distributor - SAC-4P-M 8Y/2XM 8FS VP - 1572443


Please be informed that the data shown in this PDF Document is generated from our Online Catalog. Please find the complete data in the user's documentation. Our General Terms of Use for Downloads are valid (<http://phoenixcontact.com/download>)



Y distributor, 4-position, unshielded, Plug straight M8, coding: A, on Socket straight M8, coding: A and Socket straight M8, coding: A, Parallel distributor



Key Commercial Data

| | |
|--------------|---------------------------------------------------------------------------------------------------------|
| Packing unit | 5 pc |
| GTIN |  4 046356 410892 |
| GTIN | 4046356410892 |

Technical data

Dimensions

| | |
|-----------------|---------|
| Center distance | 12 mm |
| Width | 22 mm |
| Height | 10 mm |
| Length | 33.7 mm |

Ambient conditions

| | |
|---------------------------------|----------------------------------|
| Ambient temperature (operation) | -25 °C ... 90 °C (Plug / socket) |
| | -25 °C ... 90 °C (Plug / socket) |
| Degree of protection | IP65 |
| | IP67 |

General

| | |
|-----------------------|--------------|
| Rated current at 40°C | 4 A |
| Rated voltage | 30 V AC |
| | 30 V DC |
| Number of positions | 4 |
| Insulation resistance | ≥ 10 GΩ |
| Coding | A - standard |

Y distributor - SAC-4P-M 8Y/2XM 8FS VP - 1572443

Technical data

General

| | |
|-----------------------------|------------------------------|
| Standards/regulations | M8 connector IEC 61076-2-104 |
| | M8 connector IEC 61076-2-104 |
| Status display | No |
| Overvoltage category | II |
| Degree of pollution | 3 |
| Insertion/withdrawal cycles | ≥ 100 |
| Torque | 0.2 Nm |

Material

| | |
|----------------------------------------|---------------------------------------------|
| Flammability rating according to UL 94 | HB |
| Contact material | CuZn |
| Contact surface material | Ni/Au |
| Contact carrier material | TPU GF |
| Material of grip body | TPU, hardly inflammable, self-extinguishing |
| Material, knurls | Zinc die-cast, nickel-plated |
| Sealing material | NBR |

Standards and Regulations

| | |
|----------------------------------------|------------------------------|
| Standards/specifications | M8 connector IEC 61076-2-104 |
| | M8 connector IEC 61076-2-104 |
| Flammability rating according to UL 94 | HB |

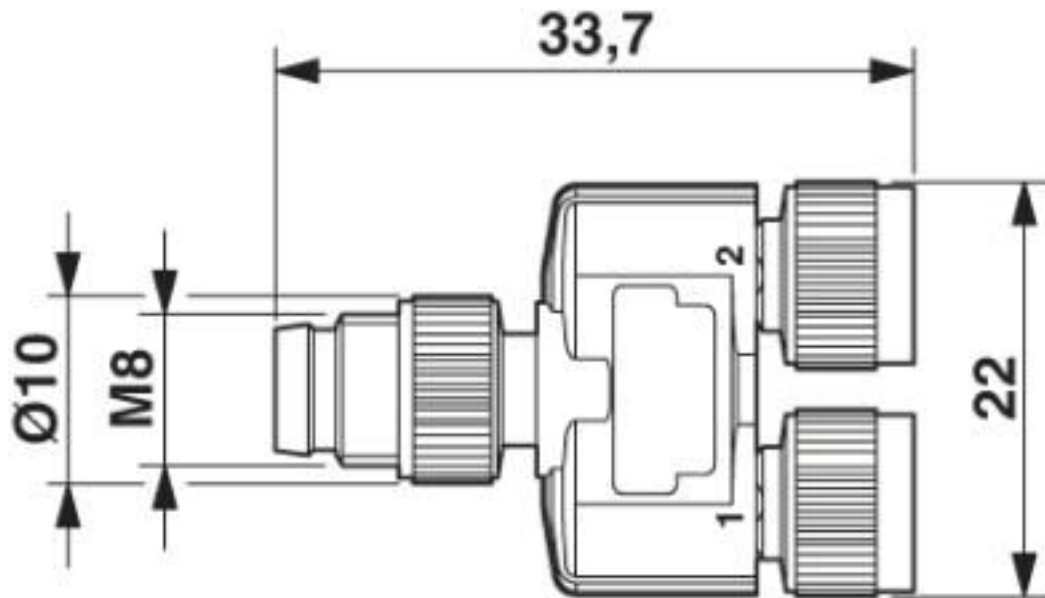
Environmental Product Compliance

| | |
|------------|-----------------------------------------------------------------------------------------------------|
| REACH SVHC | Lead 7439-92-1 |
| China RoHS | Environmentally Friendly Use Period = 50 years |
| | For details about hazardous substances go to tab "Downloads", Category "Manufacturer's declaration" |

Drawings

Y distributor - SAC-4P-M 8Y/2XM 8FS VP - 1572443

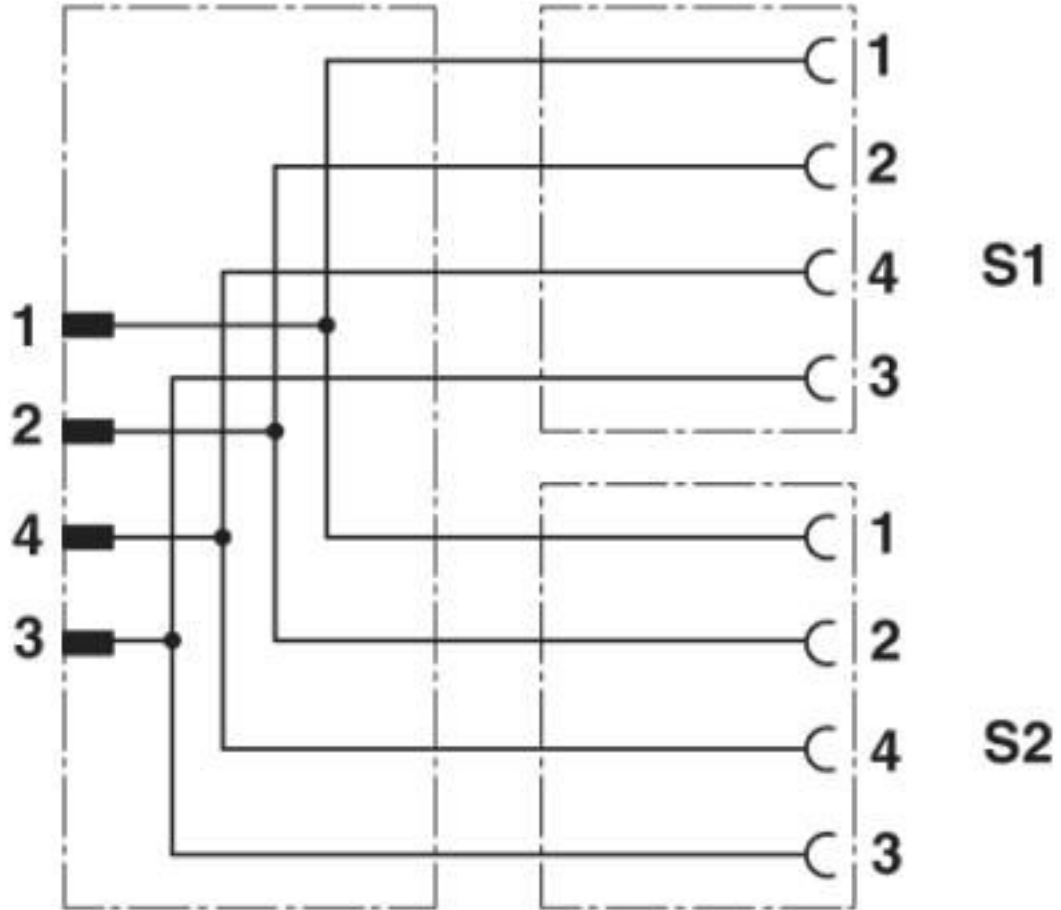
Dimensional drawing



M8-Y distributor

Y distributor - SAC-4P-M 8Y/2XM 8FS VP - 1572443

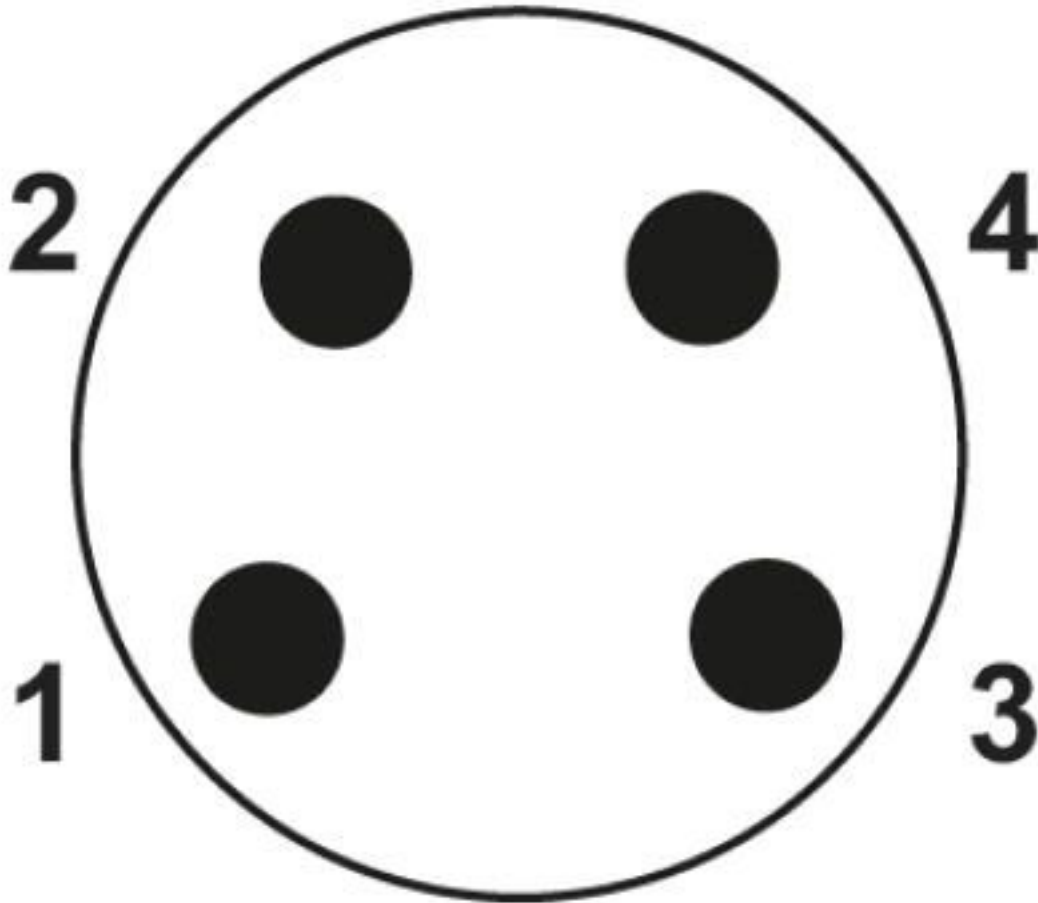
Circuit diagram



Contact assignment of the M8 Y distributor

Y distributor - SAC-4P-M 8Y/2XM 8FS VP - 1572443

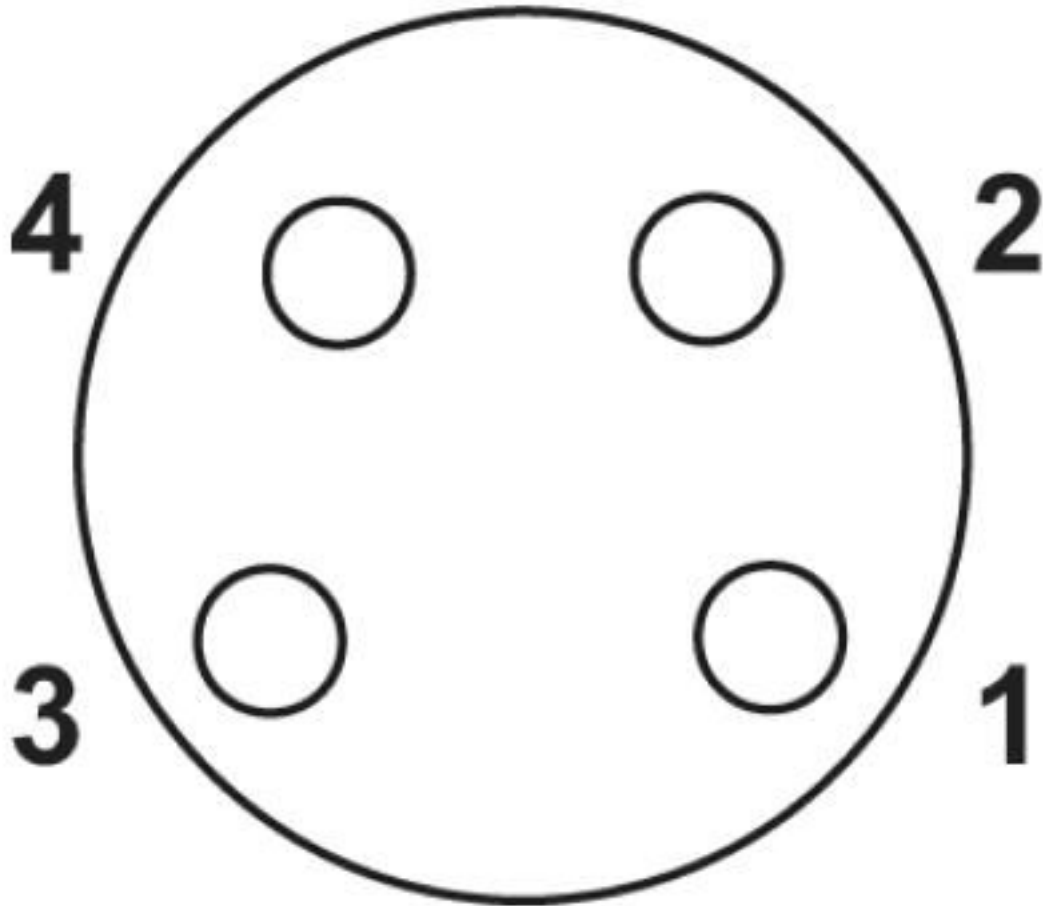
Schematic diagram



Pin assignment M8 plug, 4-pos., view male side

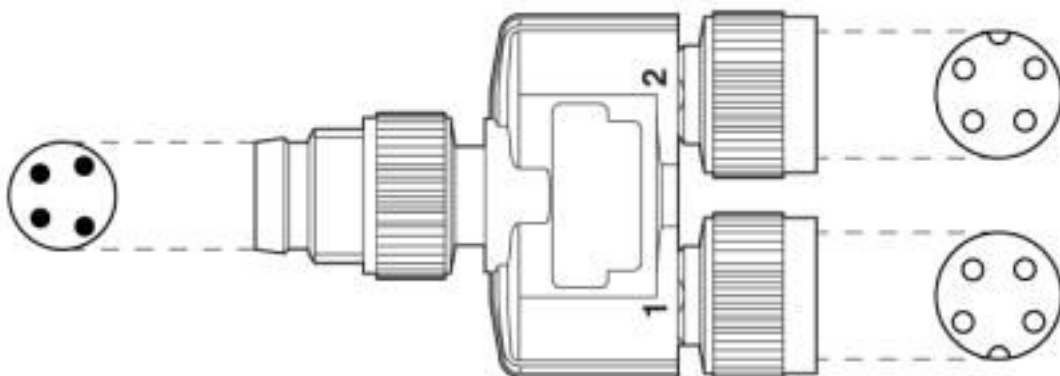
Y distributor - SAC-4P-M 8Y/2XM 8FS VP - 1572443

Schematic diagram



Pin assignment M8 socket, 4-pos., view female side

Schematic diagram



Layout of connector pin assignments

Y distributor - SAC-4P-M 8Y/2XM 8FS VP - 1572443

Classifications

eCl@ss

| | |
|---------------|----------|
| eCl@ss 10.0.1 | 27440106 |
| eCl@ss 11.0 | 27440106 |
| eCl@ss 4.0 | 27060300 |
| eCl@ss 4.1 | 27060300 |
| eCl@ss 5.0 | 27061800 |
| eCl@ss 5.1 | 27061800 |
| eCl@ss 6.0 | 27279200 |
| eCl@ss 7.0 | 27440104 |
| eCl@ss 8.0 | 27440104 |
| eCl@ss 9.0 | 27440106 |

ETIM

| | |
|----------|----------|
| ETIM 3.0 | EC001855 |
| ETIM 4.0 | EC001855 |
| ETIM 5.0 | EC002062 |
| ETIM 6.0 | EC002925 |
| ETIM 7.0 | EC002925 |

UNSPSC

| | |
|---------------|----------|
| UNSPSC 6.01 | 31251501 |
| UNSPSC 7.0901 | 31251501 |
| UNSPSC 11 | 31251501 |
| UNSPSC 12.01 | 31251501 |
| UNSPSC 13.2 | 31251501 |
| UNSPSC 19.0 | 31251501 |
| UNSPSC 20.0 | 31251501 |
| UNSPSC 21.0 | 31251501 |

Approvals

Approvals

Approvals

EAC / EAC

Ex Approvals

Approval details

Y distributor - SAC-4P-M 8Y/2XM 8FS VP - 1572443

Approvals

| | | |
|-----|--|--------------------------|
| EAC | | RU C- DE.BL08.B.00286 |
|-----|--|--------------------------|

| | | |
|-----|--|--------------------------|
| EAC | | RU C- DE.BL08.B.00511 |
|-----|--|--------------------------|

Accessories

Accessories

Plug for cable screw gland

Screw plug - PROT-M8 - 1682540



An M8 screw plug for the unoccupied M8 sockets of the sensor/actuator cable, boxes and flush-type connectors

Screwdriver tools

Tool - SAC BIT M8-D10 - 1208461



Nut for assembling M8 connectors with longitudinal knurl and a knurl diameter of 10 mm, for 4 mm hexagonal drive

Torque tool

Torque screwdriver - TSD 02 SAC - 1208487



Torque screwdriver, with preset torque of 0.2 Nm and 4 mm hexagonal drive for M8 connectors

Phoenix Contact 2020 © - all rights reserved
<http://www.phoenixcontact.com>

PHOENIX CONTACT GmbH & Co. KG
Flachmarktstr. 8
32825 Blomberg
Germany
Tel. +49 5235 300
Fax +49 5235 3 41200
<http://www.phoenixcontact.com>