

Coupling - VS-MP-PPC/PPC-1G - 1403685

Please be informed that the data shown in this PDF Document is generated from our Online Catalog. Please find the complete data in the user's documentation. Our General Terms of Use for Downloads are valid (<http://phoenixcontact.com/download>)



Multi-port data coupling: for passive PROFINET cabling to robots, including mounting foot

Product Description


Push/pull data coupling; version 14

Your advantages

- Permanent mounting is also an option
- robust design
- Including covers to protect against environmental influences



Key Commercial Data

Packing unit	1 pc
GTIN	 4 046356 664349
GTIN	4046356664349

Technical data

Dimensions

Width	38 mm
Height	51 mm
Length	115 mm

Ambient conditions

Ambient temperature (operation)	-40 °C ... 70 °C
Ambient temperature (storage/transport)	-40 °C ... 70 °C

General data

Number of positions	8
Rated voltage (III/3)	72 V (DC)
Contact material	Phosphor bronze

Coupling - VS-MP-PPC/PPC-1G - 1403685

Technical data

General data

Housing material	Aluminum press-drawn section / die-cast zinc
Degree of protection	IP65
Number of slots	1
Transmission characteristics (category)	CAT5

Standards and Regulations

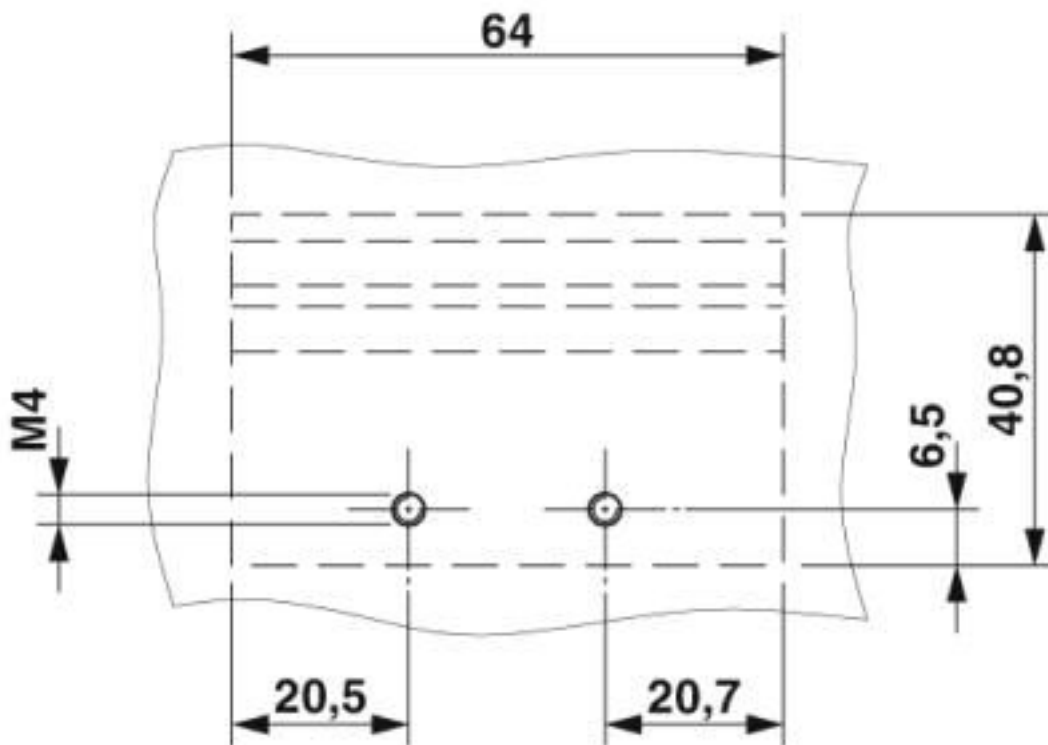
Flammability rating according to UL 94	V0
--	----

Environmental Product Compliance

REACH SVHC	Lead 7439-92-1
China RoHS	Environmentally Friendly Use Period = 50 years
	For details about hazardous substances go to tab "Downloads", Category "Manufacturer's declaration"

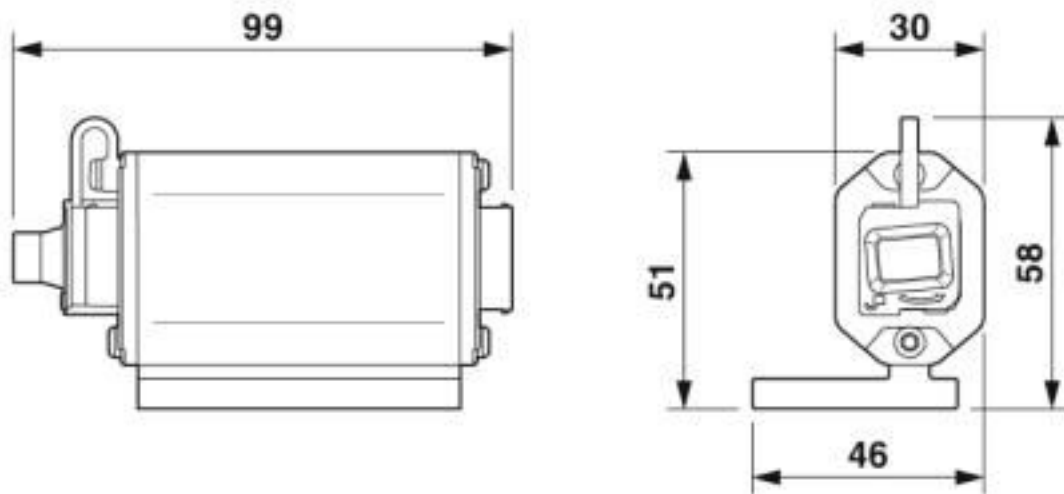
Drawings

Drilling diagram



Coupling - VS-MP-PPC/PPC-1G - 1403685

Dimensional drawing



Dimensional drawing

Classifications

eCl@ss

eCl@ss 10.0.1	27440101
eCl@ss 11.0	27440101
eCl@ss 4.0	27260700
eCl@ss 4.1	27260700
eCl@ss 5.0	27260700
eCl@ss 5.1	27260700
eCl@ss 6.0	27260700
eCl@ss 7.0	27440101
eCl@ss 8.0	27440101
eCl@ss 9.0	27440101

ETIM

ETIM 3.0	EC000830
ETIM 4.0	EC001134
ETIM 5.0	EC002636
ETIM 6.0	EC002636
ETIM 7.0	EC002636

UNSPSC

UNSPSC 6.01	26121616
UNSPSC 7.0901	26121616
UNSPSC 11	26121604
UNSPSC 12.01	31261501
UNSPSC 13.2	43222604

Coupling - VS-MP-PPC/PPC-1G - 1403685

Classifications

UNSPSC

UNSPSC 18.0	39121409
UNSPSC 19.0	39121409
UNSPSC 20.0	39121409
UNSPSC 21.0	39121409

Approvals

Approvals

Approvals

EAC

Ex Approvals

Approval details

EAC		B.01687
-----	---	---------

Phoenix Contact 2020 © - all rights reserved
<http://www.phoenixcontact.com>

PHOENIX CONTACT GmbH & Co. KG
Flachsmarktstr. 8
32825 Blomberg
Germany
Tel. +49 5235 300
Fax +49 5235 3 41200
<http://www.phoenixcontact.com>