

Product data sheet

Specifications



Roof plate, PrismaSeT P, for enclosure W 800mm D 400mm, IP54, with cut-out for top hood

LVS08478

Main

Range	PrismaSeT
Range of product	PrismaSeT P
Product or component type	Ventilated roof
Range compatibility	PrismaSeT (PrismaSeT P) enclosure
Device application	Low voltage electrical distribution
Enclosure type	Metal enclosure
Installation description	Cubicle - width 650 mm, depth 400 mm
Standards	IEC 61439-1 for enclosure IEC 61439-2 for enclosure
Product certifications	ASTA

Complementary

Material	Treated sheet steel
Protective treatment	Electrophoresis treatment and hot-polymerised polyester epoxy powder
Surface finish	Textured Matt
Colour	White (RAL 9003)
Special colour options	Yes
Width	650 mm
Depth	400 mm
Net weight	2.7 kg
Quantity per set	Set of 1

Environment

IP degree of protection	IP55 for enclosure
IK degree of protection	IK10

Packing Units

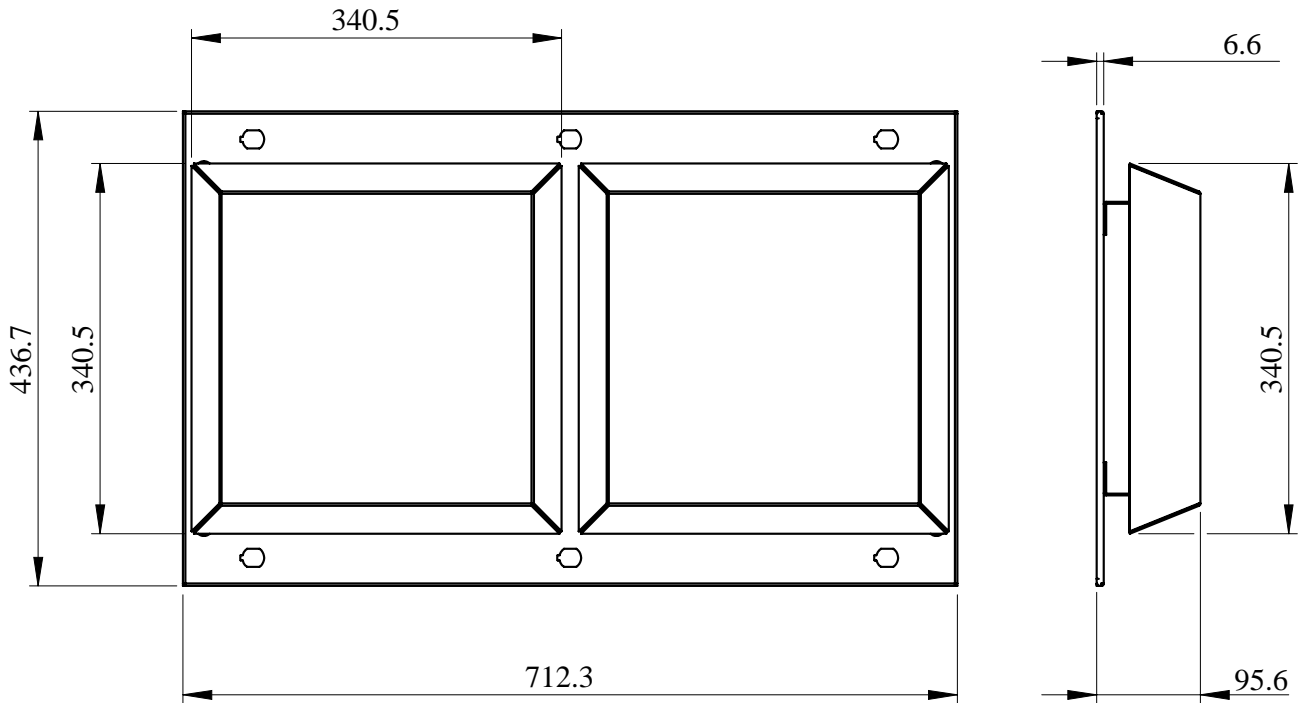
Unit Type of Package 1	PCE
Number of Units in Package 1	1
Package 1 Height	4.0 cm

Package 1 Width	42.0 cm
Package 1 Length	83.0 cm
Package 1 Weight	2.83 kg
Unit Type of Package 2	P12
Number of Units in Package 2	60
Package 2 Height	93.0 cm
Package 2 Width	80.0 cm
Package 2 Length	120.0 cm
Package 2 Weight	182.0 kg

Offer Sustainability

Sustainable offer status	Green Premium product
REACH Regulation	REACH Declaration
REACH free of SVHC	Yes
EU RoHS Directive	Pro-active compliance (Product out of EU RoHS legal scope) EU RoHS Declaration
Toxic heavy metal free	Yes
Mercury free	Yes
China RoHS Regulation	China RoHS declaration Pro-active China RoHS declaration (out of China RoHS legal scope)
RoHS exemption information	Yes
Environmental Disclosure	Product Environmental Profile
PVC free	Yes

Dimensions



- All dimensions are approximate and are in mm.
- Also see technical documentation.

Recommended replacement(s)