

## Shield connection clamp - SKS 8-D - 3240213

Please be informed that the data shown in this PDF Document is generated from our Online Catalog. Please find the complete data in the user's documentation. Our General Terms of Use for Downloads are valid (<http://phoenixcontact.com/download>)




Shield connection terminal block, for applying the shield directly to the conductive mounting plates

### Your advantages

- ✓ The SKS ... spring shield connection clamps are available for cable and conductor diameters of 3 to 20 mm
- ✓ According to the requirements of the directive and standards for electrical equipment in potentially explosive areas, as components, shield connections are not eligible for certification. As such, shield connection clamps can be used in the Ex area even without appropriate approval and marking.
- ✓ Three different mounting types supported: on NS 35 DIN rails, on busbars or directly on conductive mounting plates



### Key Commercial Data

Packing unit	10 pc
GTIN	 4 046356 458665
GTIN	4046356458665

### Technical data

#### General

Number of levels	1
Number of connections	1
Cable diameter	3 mm ... 8 mm
Color	silver
Open side panel	No

#### Dimensions

Length	18 mm
Width	12.4 mm
Height	34.9 mm

#### Connection data

Connection method	Spring-cage connection
-------------------	------------------------

# Shield connection clamp - SKS 8-D - 3240213

## Technical data

### Connection data

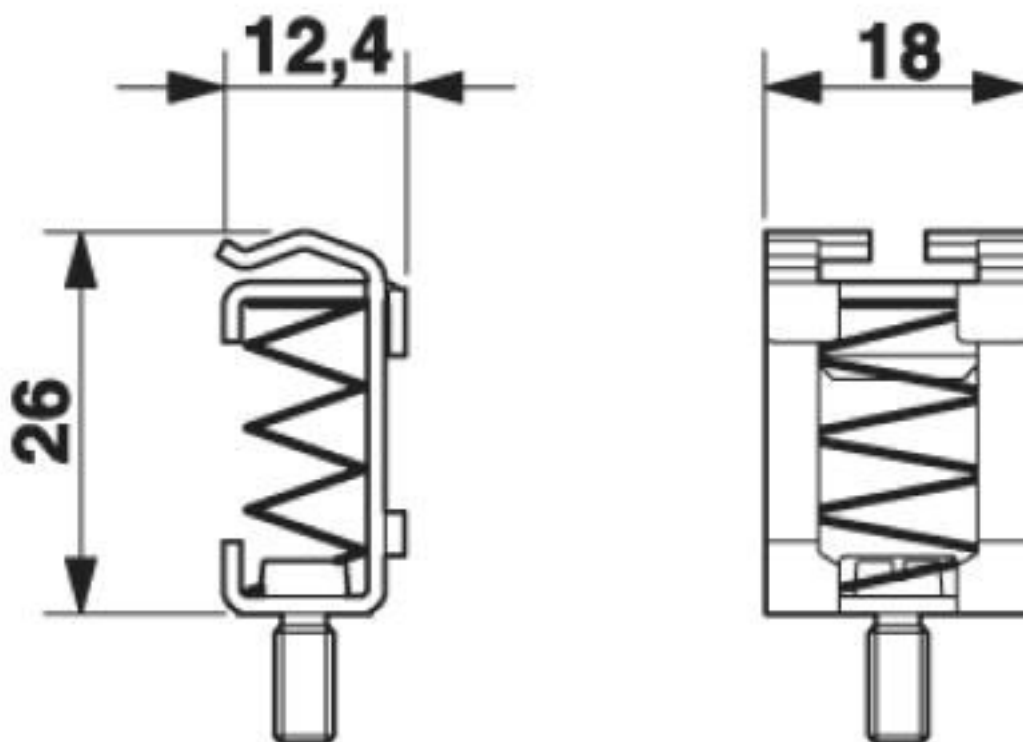
Conductor cross section solid min.	3 mm <sup>2</sup>
Conductor cross section solid max.	8 mm <sup>2</sup>
Conductor cross section flexible min.	3 mm <sup>2</sup>
Conductor cross section flexible max.	8 mm <sup>2</sup>
Conductor cross section AWG min.	12
Conductor cross section AWG max.	8
Screw thread	M4

### Environmental Product Compliance

China RoHS	Environmentally friendly use period: unlimited = EFUP-e
	No hazardous substances above threshold values

## Drawings

Dimensional drawing



## Classifications

eCl@ss

eCl@ss 10.0.1	27141150
eCl@ss 11.0	27141150

# Shield connection clamp - SKS 8-D - 3240213

## Classifications

### eCl@ss

eCl@ss 4.0	27141100
eCl@ss 4.1	27141100
eCl@ss 5.0	27141100
eCl@ss 5.1	27141100
eCl@ss 6.0	27141100
eCl@ss 7.0	27141150
eCl@ss 8.0	27141150
eCl@ss 9.0	27141150

### ETIM

ETIM 2.0	EC000897
ETIM 3.0	EC000897
ETIM 4.0	EC000001
ETIM 5.0	EC002020
ETIM 6.0	EC002020
ETIM 7.0	EC002020

### UNSPSC

UNSPSC 6.01	30211811
UNSPSC 7.0901	39121410
UNSPSC 11	39121410
UNSPSC 12.01	39121410
UNSPSC 13.2	39121432
UNSPSC 18.0	39121432
UNSPSC 19.0	39121432
UNSPSC 20.0	39121432
UNSPSC 21.0	39121432

## Accessories

### Accessories

#### Installation terminal block

Connection terminal block - AKG 4 GNYE - 0421029



Connection terminal block, connection method: Screw connection, load current: 41 A, cross section: 0.5 mm<sup>2</sup> - 6 mm<sup>2</sup>, width: 7 mm, color: green-yellow

## Shield connection clamp - SKS 8-D - 3240213

### Accessories

Connection terminal block - AKG 4 BK - 0421032



Connection terminal block, connection method: Screw connection, load current: 41 A, cross section: 0.5 mm<sup>2</sup> - 6 mm<sup>2</sup>, width: 7 mm, color: black

---

### Pick-off terminal block

Connection terminal block - AK 4 - 0404017



Connection terminal block, connection method: Screw connection, load current: 41 A, cross section: 0.5 mm<sup>2</sup> - 6 mm<sup>2</sup>, width: 7 mm, color: silver

---

### Support

Support bracket - AB-SK - 3025341



Support bracket for busbars

---

Support bracket - AB/SS - 0404428



Support bracket made from insulation material, with retaining screw, can be used with either 3 x 10 mm or 6 x 6 mm busbar, color: gray