

Cable housing - KGS-MSTB 2,5/16 - 1783850


Please be informed that the data shown in this PDF Document is generated from our Online Catalog. Please find the complete data in the user's documentation. Our General Terms of Use for Downloads are valid (<http://phoenixcontact.com/download>)



Cable housing, pitch: 0 mm, number of positions: 16, dimension a: 80 mm, color: green



Key Commercial Data

Packing unit	10 pc
GTIN	 4 017918 042035
GTIN	4017918042035

Technical data

Dimensions

Pitch	0.00 mm
Dimension a	80 mm

General

Range of articles	KGS-MSTB 2,5
Number of positions	16
Insulating material group	I
Insulating material	ABS
Flammability rating according to UL 94	HB

Standards and Regulations

Flammability rating according to UL 94	HB
--	----

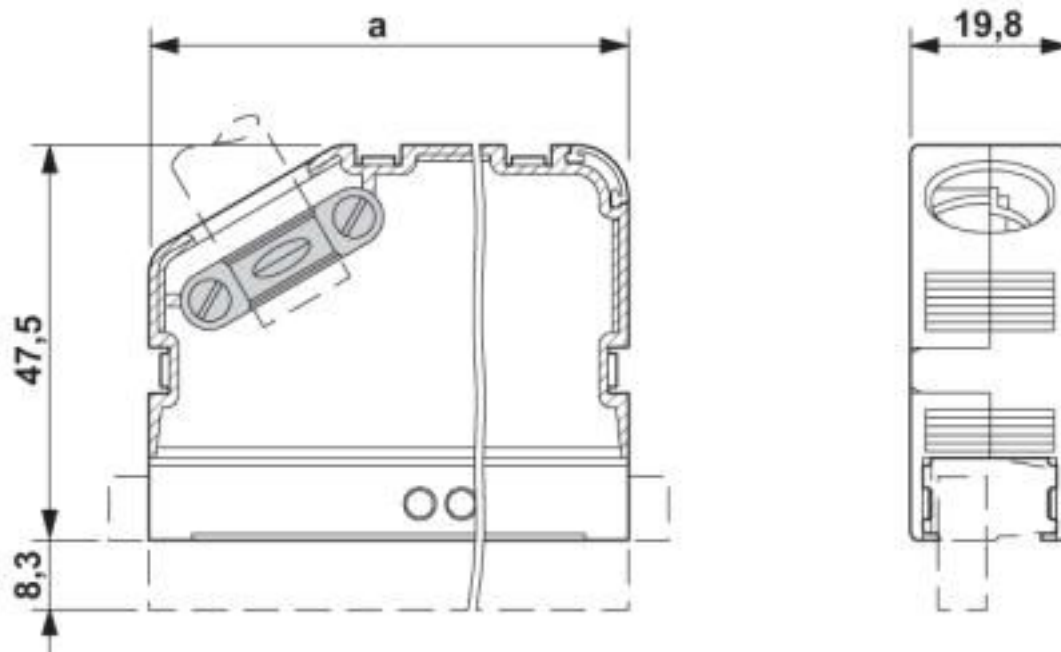
Environmental Product Compliance

China RoHS	Environmentally friendly use period: unlimited = EFUP-e
	No hazardous substances above threshold values

Drawings

Cable housing - KGS-MSTB 2,5/16 - 1783850

Dimensional drawing



Classifications

eCl@ss

eCl@ss 10.0.1	27440392
eCl@ss 11.0	27460402
eCl@ss 4.0	27260700
eCl@ss 4.1	27260700
eCl@ss 5.0	27260700
eCl@ss 5.1	27261200
eCl@ss 6.0	27261200
eCl@ss 7.0	27440202
eCl@ss 8.0	27440390
eCl@ss 9.0	27440392

ETIM

ETIM 3.0	EC001121
ETIM 4.0	EC000437
ETIM 5.0	EC000437
ETIM 6.0	EC000437
ETIM 7.0	EC000437

UNSPSC

UNSPSC 6.01	30211810
UNSPSC 7.0901	39121409

Cable housing - KGS-MSTB 2,5/16 - 1783850

Classifications

UNSPSC

UNSPSC 11	39121409
UNSPSC 12.01	39121409
UNSPSC 13.2	31261501
UNSPSC 18.0	31261501
UNSPSC 19.0	31261501
UNSPSC 20.0	31261501
UNSPSC 21.0	31261501

Approvals

Approvals

Approvals

EAC

Ex Approvals

Approval details

EAC		B.01687
-----	--	---------

Accessories

Accessories

Cable housing

Cable housing - KGS-MSTB 2,5/ DST - 1784914



Transparent label carrier, can be marked with marker strips SBS 2.5/7.5

Terminal marking

Cable housing - KGS-MSTB 2,5/16 - 1783850

Accessories

Marker for terminal blocks - SBS 2,5/7,5 - 1007604



Marker for terminal blocks, Card, white, unlabeled, can be labeled with: Marker pen, perforated, mounting type: snap into tall marker groove, snap into flat marker groove, for terminal block width: 7.5 mm, lettering field size: 15 x 7.5 mm, Number of individual labels: 10

Accessories - KD-KGS-MSTB - 1804658



Molded cable strain relief, suitable for KGS-... cable housings, prevents the cable from being bent

Phoenix Contact 2020 © - all rights reserved
<http://www.phoenixcontact.com>

PHOENIX CONTACT GmbH & Co. KG
Flachsmarktstr. 8
32825 Blomberg
Germany
Tel. +49 5235 300
Fax +49 5235 3 41200
<http://www.phoenixcontact.com>