

## Crimp contact - RC-59P2000 - 1603498


Please be informed that the data shown in this PDF Document is generated from our Online Catalog. Please find the complete data in the user's documentation. Our General Terms of Use for Downloads are valid (<http://phoenixcontact.com/download>)



Crimp contact, turned, contact diameter: 2 mm, crimp range: 0.75 mm<sup>2</sup> ... 1 mm<sup>2</sup>



### Key Commercial Data

Packing unit	50 pc
Minimum order quantity	50 pc
GTIN	 4 046356 245722
GTIN	4046356245722

### Technical data

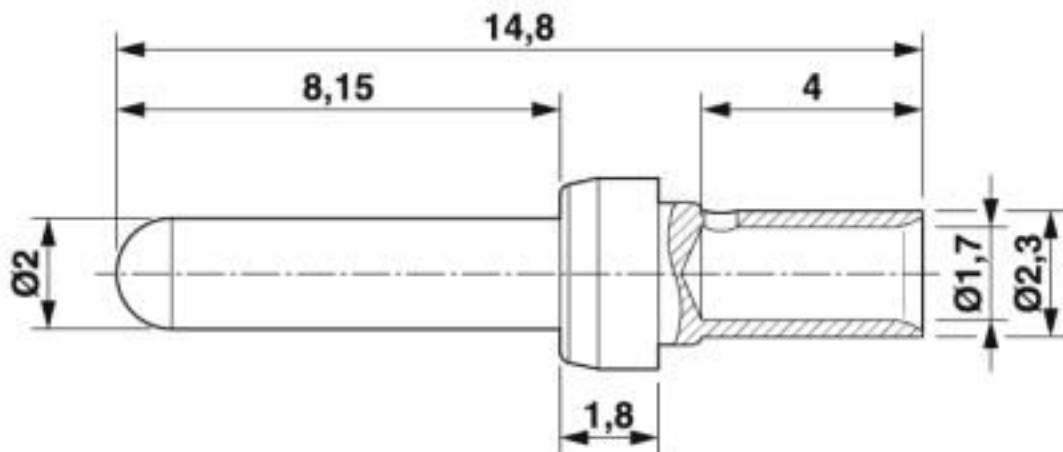
#### Environmental Product Compliance

REACH SVHC	Lead 7439-92-1
China RoHS	Environmentally Friendly Use Period = 50 years
	For details about hazardous substances go to tab "Downloads", Category "Manufacturer's declaration"

### Drawings

# Crimp contact - RC-59P2000 - 1603498

Dimensional drawing



## Classifications

### eCl@ss

eCl@ss 10.0.1	27440204
eCl@ss 11.0	27440204
eCl@ss 4.0	27260700
eCl@ss 4.1	27260700
eCl@ss 5.0	27260700
eCl@ss 5.1	27261200
eCl@ss 6.0	27261200
eCl@ss 7.0	27440204
eCl@ss 8.0	27440204
eCl@ss 9.0	27440204

### ETIM

ETIM 3.0	EC001121
ETIM 4.0	EC001121
ETIM 5.0	EC000796
ETIM 6.0	EC000796
ETIM 7.0	EC000796

### UNSPSC

UNSPSC 6.01	43172015
UNSPSC 7.0901	43201404
UNSPSC 11	43172015
UNSPSC 12.01	43201404
UNSPSC 13.2	39121522
UNSPSC 18.0	39121522
UNSPSC 19.0	39121522
UNSPSC 20.0	39121522

## Crimp contact - RC-59P2000 - 1603498

### Classifications

#### UNSPSC

UNSPSC 21.0	39121522
-------------	----------

### Accessories

#### Accessories

Crimping pliers with digital display - RC-Z2514 - 1614590



Crimping pliers for turned RC crimp contacts  $\varnothing$  1 mm /  $\varnothing$  1.5 mm /  $\varnothing$  2 mm, litz wire cross section of 0.08 mm<sup>2</sup> ... 2.5 mm<sup>2</sup>

---

Phoenix Contact 2020 © - all rights reserved  
<http://www.phoenixcontact.com>

PHOENIX CONTACT GmbH & Co. KG  
Flachsmarktstr. 8  
32825 Blomberg  
Germany  
Tel. +49 5235 300  
Fax +49 5235 3 41200  
<http://www.phoenixcontact.com>